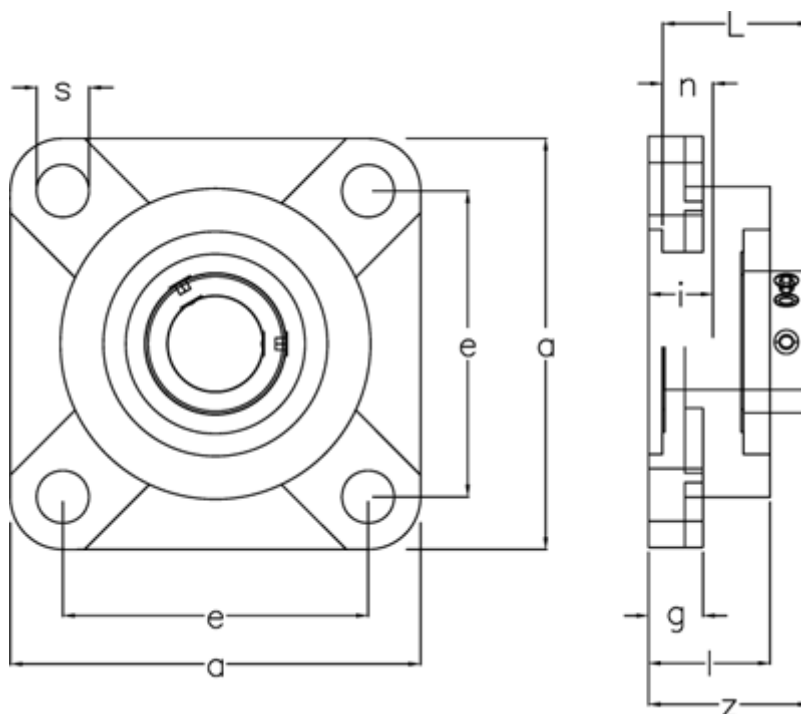


Article number: 54810052041

Description: 4 hole Flange Unit SSUCF204 for shaft $\varnothing 20\text{mm}$
Massive stainless steel, mat

Measures



a	= 86	L	= 31
Bearing	= SUC204	Nominal drive	= 12.7
Bolt size	= M10	s	= 11
e	= 64	Weight	= 0.65
g	= 12.0	z	= 33.3
Housing	= SF204		
i	= 15		
l	= 25.5		